

Spacers prevent damages on large and heavy tiles, which should be placed correctly on the first trial, no matter if they're hand- or vacuum laid. The same principal applies in vulnerable areas, such as inner-city areas cleaned with suction sweeper.

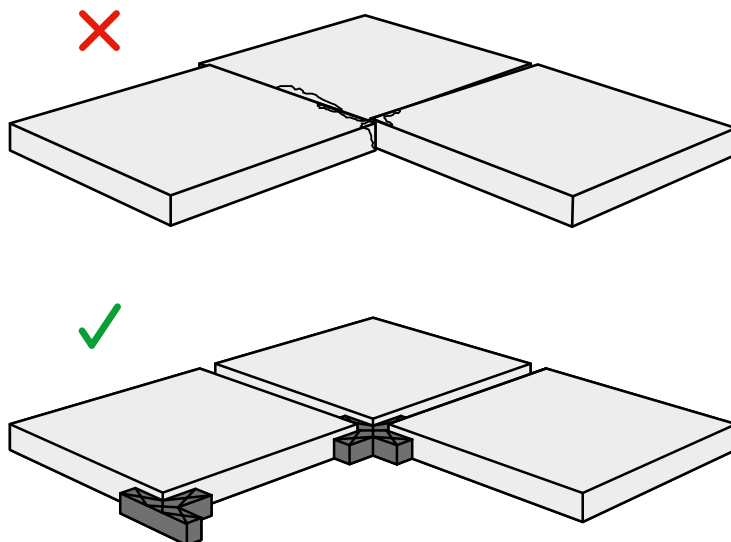
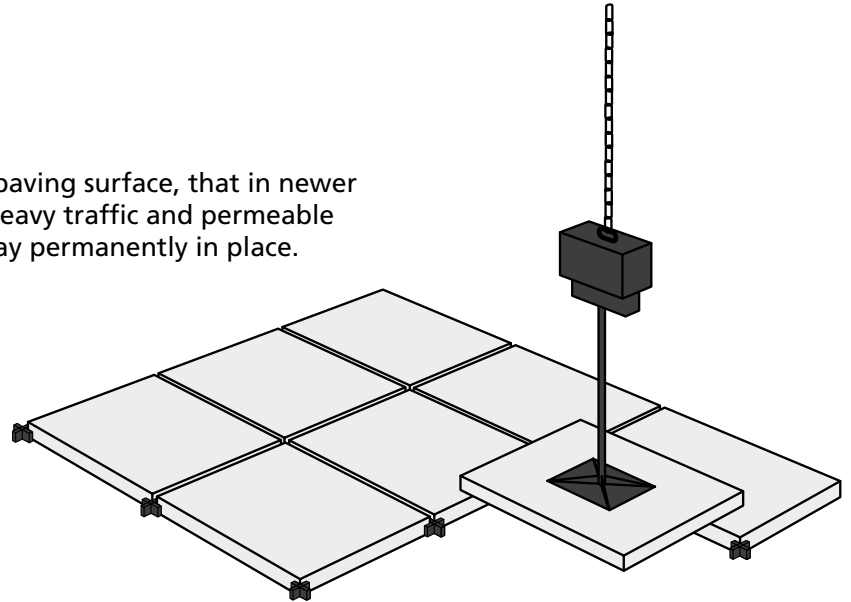
PaveSystems® spacers are the only of its kind that are frost proof and thereby a permanent solution.

Explanation

The forces behind a straight cut concrete paving surface, that in newer days are finding its way to harbor areas, heavy traffic and permeable environments, need an assisting tool to stay permanently in place.

PaveSystems® spacers, not only help against contact damages in the moment of establishment, but also under the hard strain in the years to follow. The damages in the moment of establishment are often due to the sheer weight of the tile and the fluctuations and vibrations from the vacuum lifter, during operating. These damages are quite common.

The spacers in the frost proof PE plastic is a simple and cost efficient solution.



Advantages

- Protects the tile against damages
- Cost efficient solution
- Helps under and after establishment
- Works as a shock absorbing cushion
- Strengthens and connects the paving to a unified surface
- Creates straight lines and unified gaps
- Available in different shapes and sizes
- Other versions on request